

Open, Free, and Easy *Altmetrics* Through Community-Owned and Operated Infrastructure

JUAN PABLO ALPERIN

PUBLIC KNOWLEDGE PROJECT

collecting metrics is easy

RIGHT?

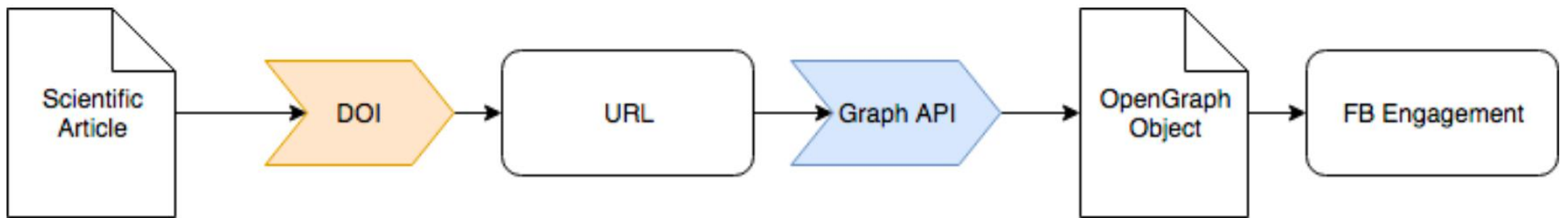


Figure 1. The ideal collection process; never encountered in real life.

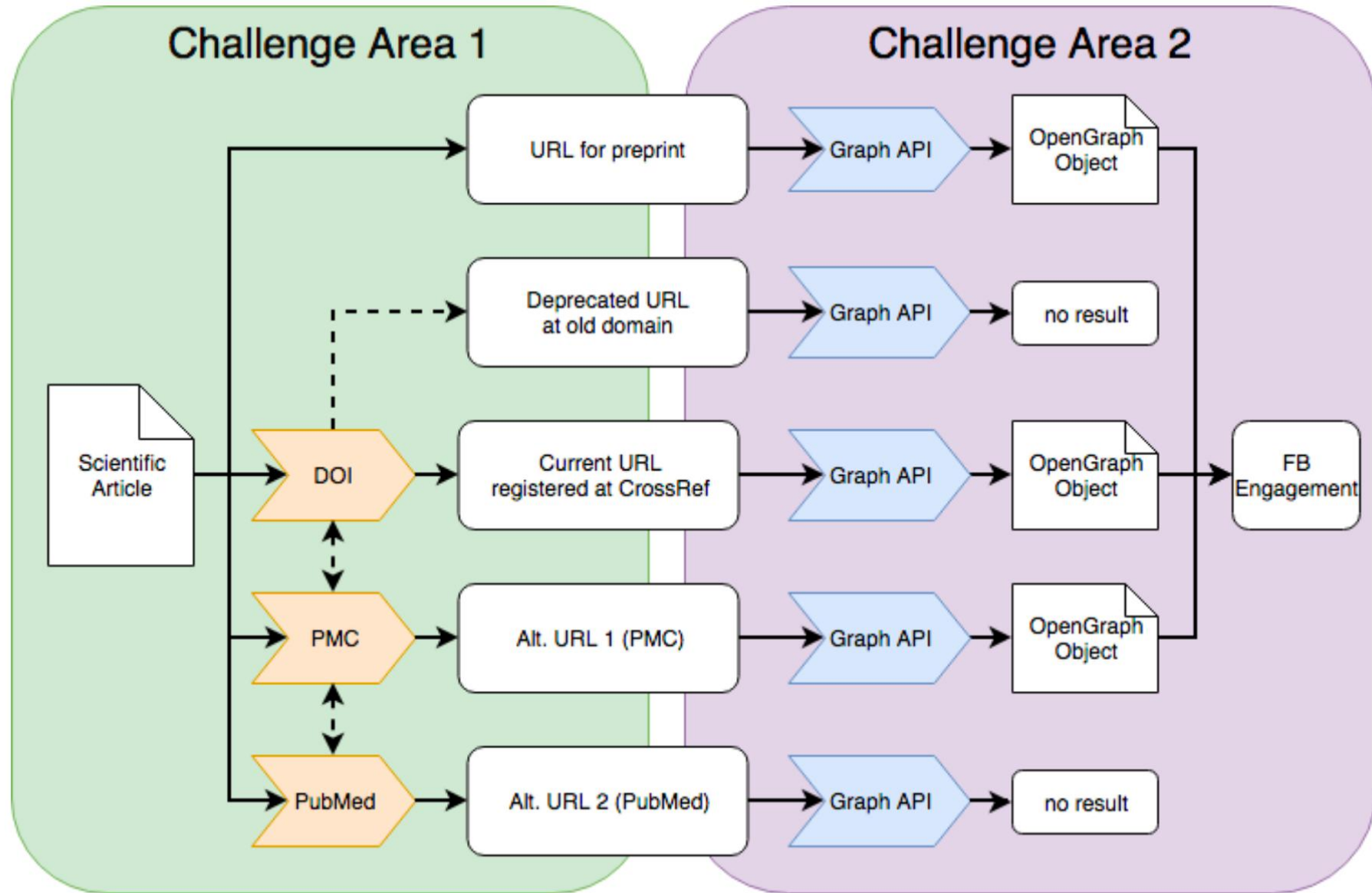


Figure 2. A more complete, but still idealized, collection process

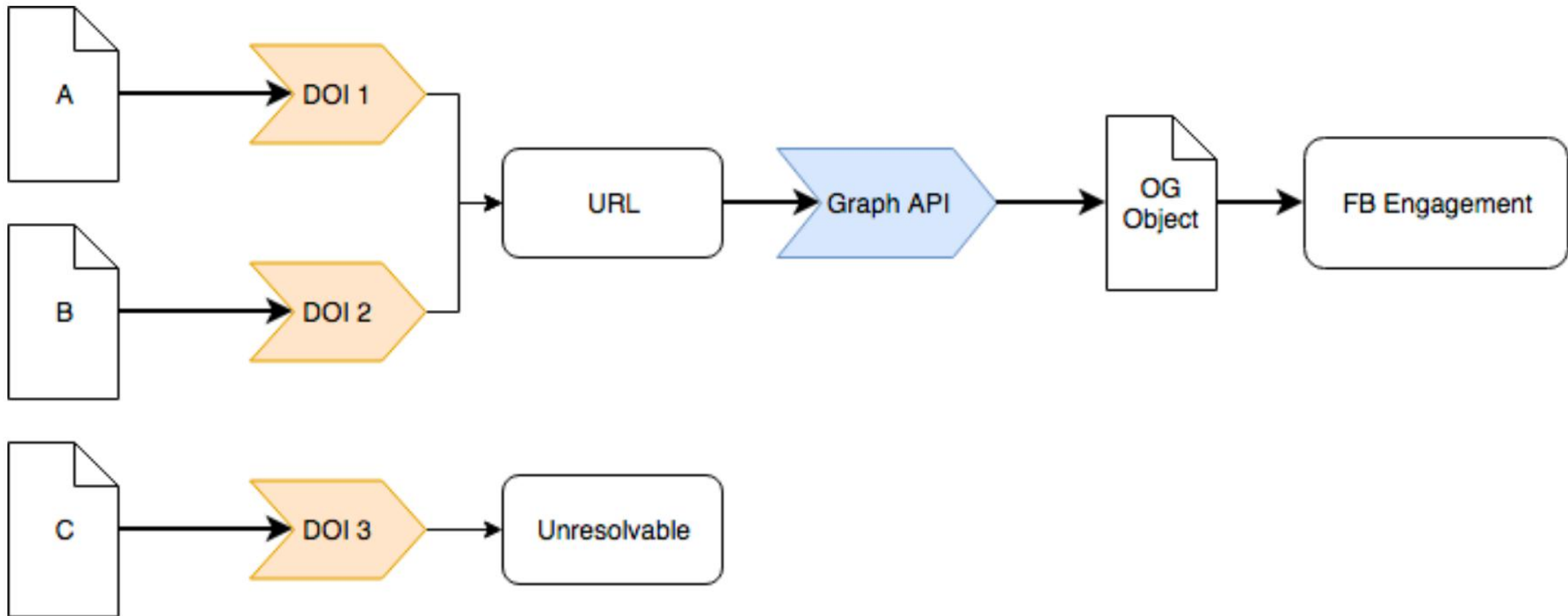
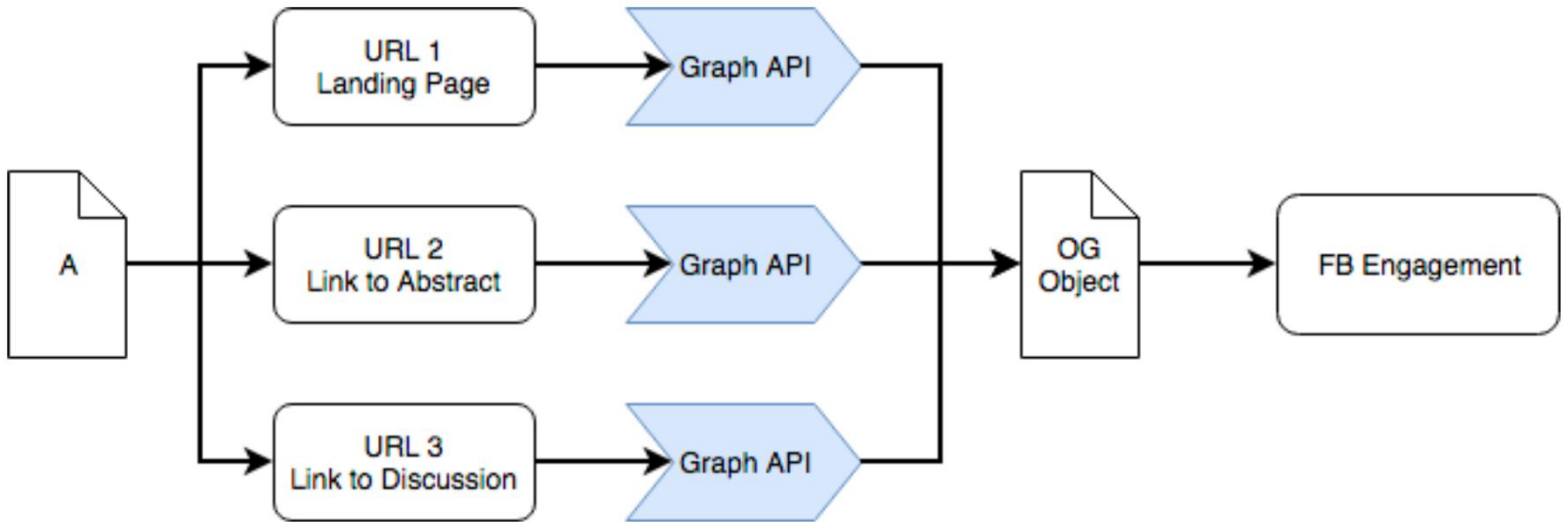


Figure 3. A first set of problems with DOIs where multiple DOIs are mapped to the same URL (A + B) or are not mapped to any URL at all (C).



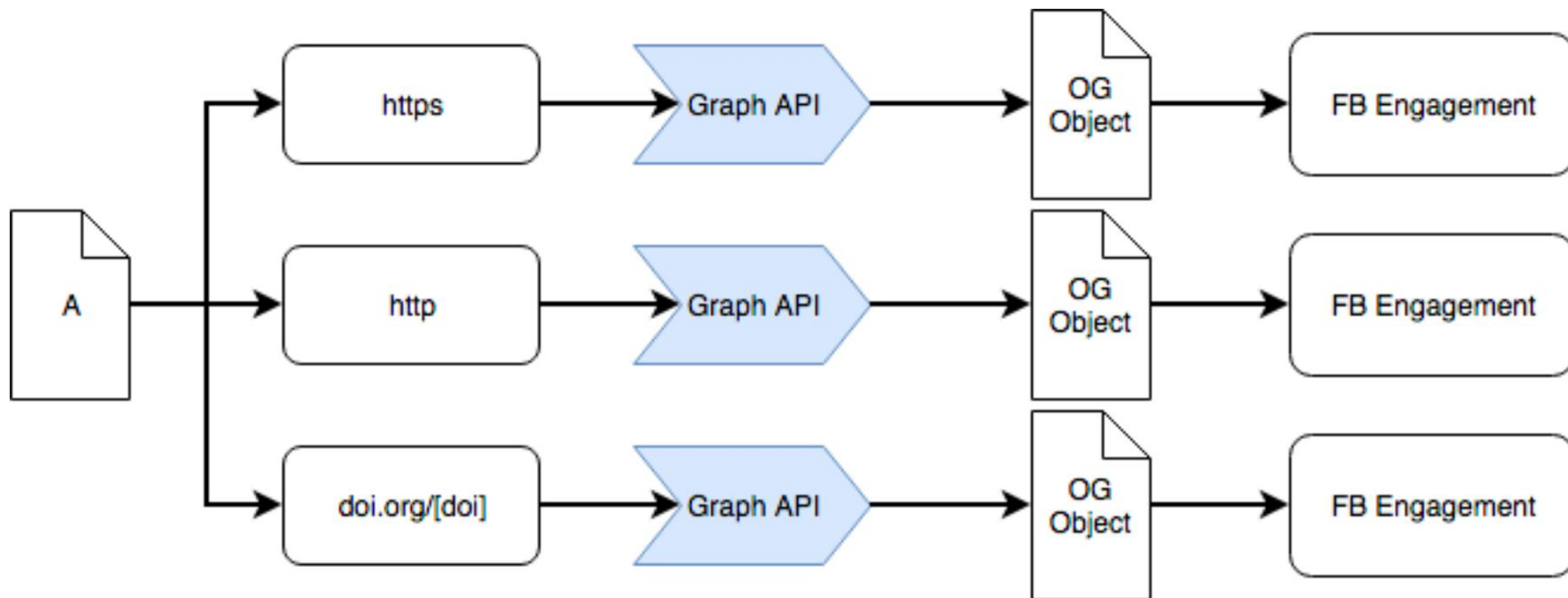


Figure 5. A second problem case where different URLs for the same article are considered a different object by Facebook

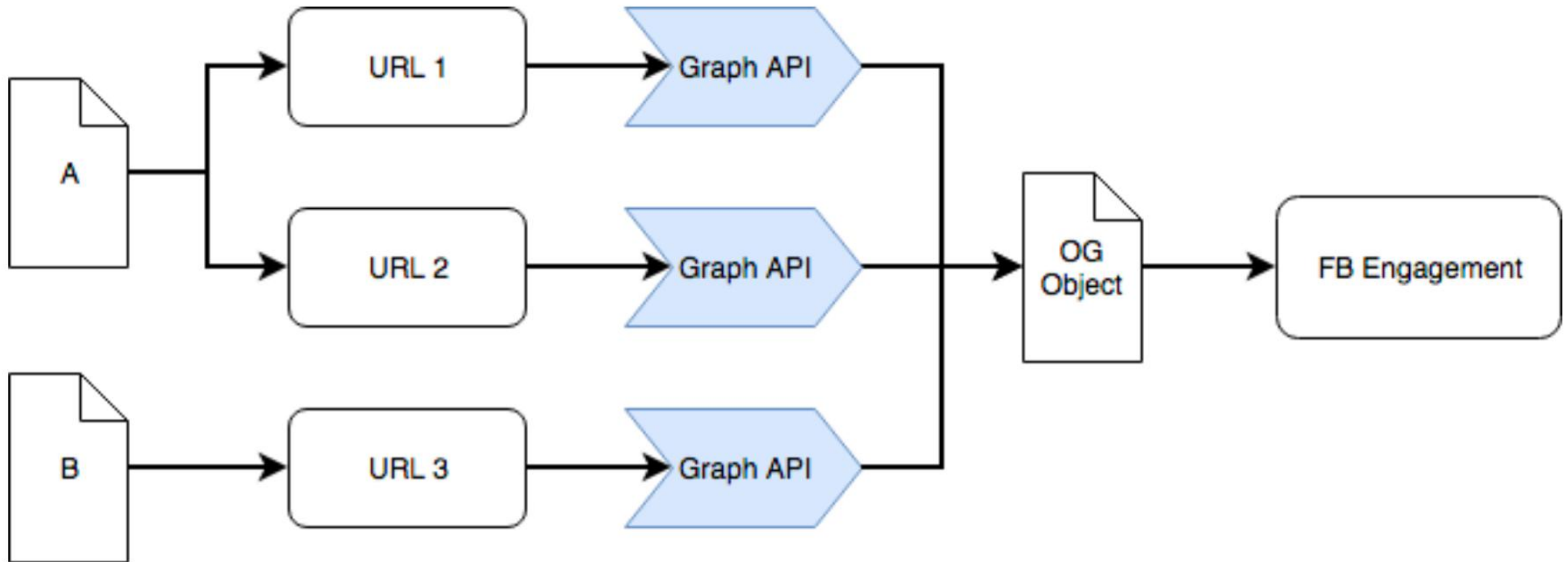


Figure 6. A third problem case where the URLs for different articles are considered the same object by Facebook

random sample of 100,000 DOIs

problems with **12%** of those with engagements
of the whole set

a community solution

IF WE IT CANNOT BE PERFECT, AT LEAST LET'S HAVE IT BE OPEN

Web **mentions** of research
collected by Crossref



FB mentions of research
collected by PKP and the
ScholCommLab
(under development)

PKP | PUBLIC KNOWLEDGE PROJECT



Turns mentions into events



Crossref
Event Data

Turns mentions into events



Crossref
Event Data



Event stream via
Event Data API

Event stream via
Event Data API



Turns events into metrics



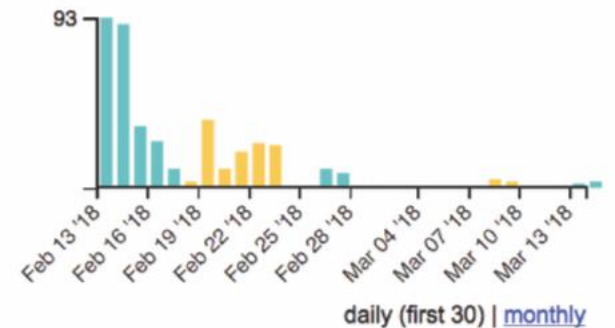
Paperbuzz metrics
API Easy to use and
includes aggregated
metrics by day, month,
year, total

Paperbuzz metrics
API Easy to use and
includes aggregated
metrics by day, month,
year, total



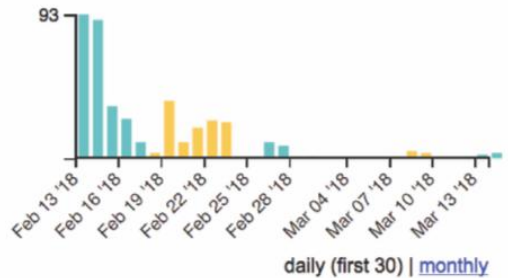
PaperBuzzViz

Turns metrics into
visualization withd3.js



PaperBuzzViz

Turns metrics into visualization withd3.js



Drop-in Javascript stand-alone module that pulls metrics from Paperbuzz API and generates graphs that can be inserted anywhere

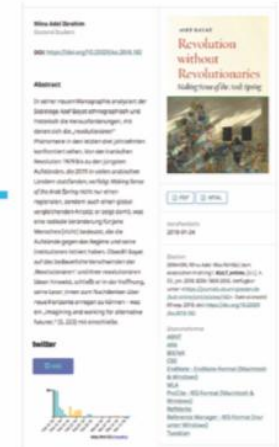
Display on article pages

PKP

OPEN
JOURNAL
SYSTEMS



Open Library of Humanities



Scholarly Associations and the Economic Viability of Open Access Publishing

John Willinsky
Stanford University

DOI: <https://doi.org/10.9876/tj1.v1i1.38>

Keywords: Scholarly Associations, Electronic Publishing

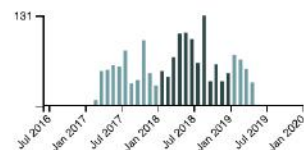
Abstract

The information landscapes within which scholars work is undergoing a seismic shift. The computer monitor that rises out of the photocopy stacks, piles of journals, clippings and correspondence, now offers a new, rich vein of information that seems destined to eventually overwhelm the traditional trappings of desktops, filing cabinets, and bookshelves. After little more than a decade of Internet publishing, two-thirds of academic journals provide online access, while more than 1,000 peer-reviewed journals are published solely in digital form (Tenopir and King, 2001). Faculty and students are increasingly writing with their browsers open to online research sources.

Metrics

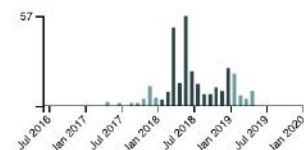
PDF views 2,847

Twitter  1,624



monthly | yearly

Wikipedia  309



Published
2016-06-01

How to Cite

Smith, S. (2016). Scholarly Associations and the Economic Viability of Open Access Publishing. *Test Journal 1*, 1(2). <https://doi.org/10.9876/tj1.v1i1.38>

More Citation Formats

Issue

[Vol 1 No 2 \(2014\)](#)

Section

Articles

Browse

Categories

[Open Source Software](#)

[Open Access](#)

Information

[For Readers](#)

[For Authors](#)

[For Librarians](#)

Language

[English](#)

[Français \(Canada\)](#)

[Português \(Brasil\)](#)

Current Issue

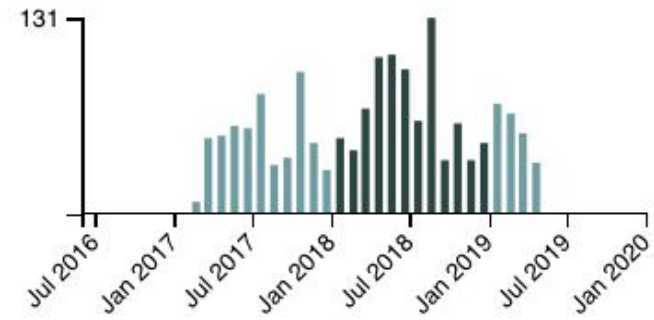
 1.0

 2.0

 3.0

Twitter

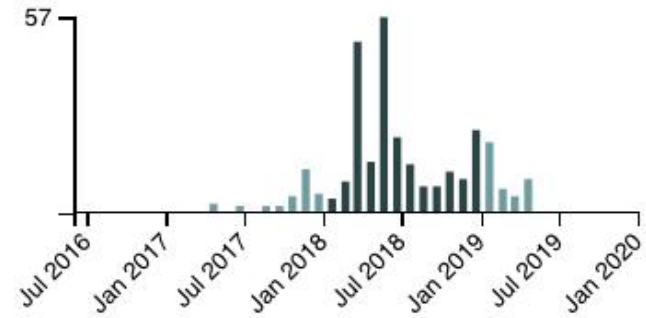
🐦 1,624



monthly | yearly

Wikipedia

W 309



monthly | yearly

for community to work

WE NEED THE COMMUNITY

contributions welcome

- Want to collect your own metrics?
- Not seeing the metrics you expected?
- Want to see events turned to different metrics?
- The visualization needs to be improved?
- Problem with how things are displayed in OJS?



Open, Free, and Easy *Altmetrics* Through Community-Owned and Operated Infrastructure

THIS WORK WAS CONDUCTED AS PART OF THE [CO.SHS](#) PROJECT AND HAS BEEN SUPPORTED BY THE [CANADA FOUNDATION FOR INNOVATION](#) (CYBERINFRASTRUCTURE INITIATIVE – CHALLENGE 1 – FIRST COMPETITION).